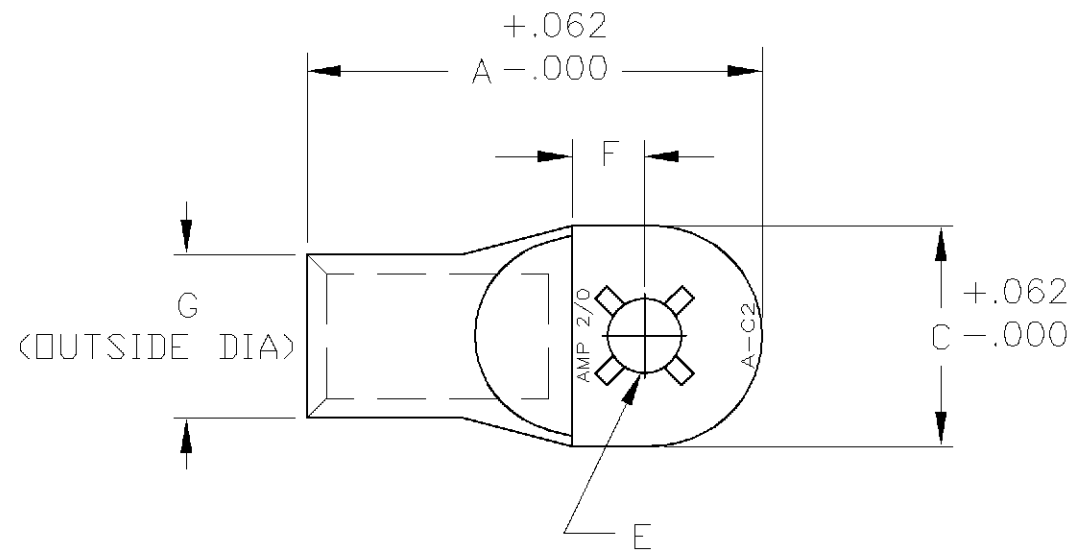
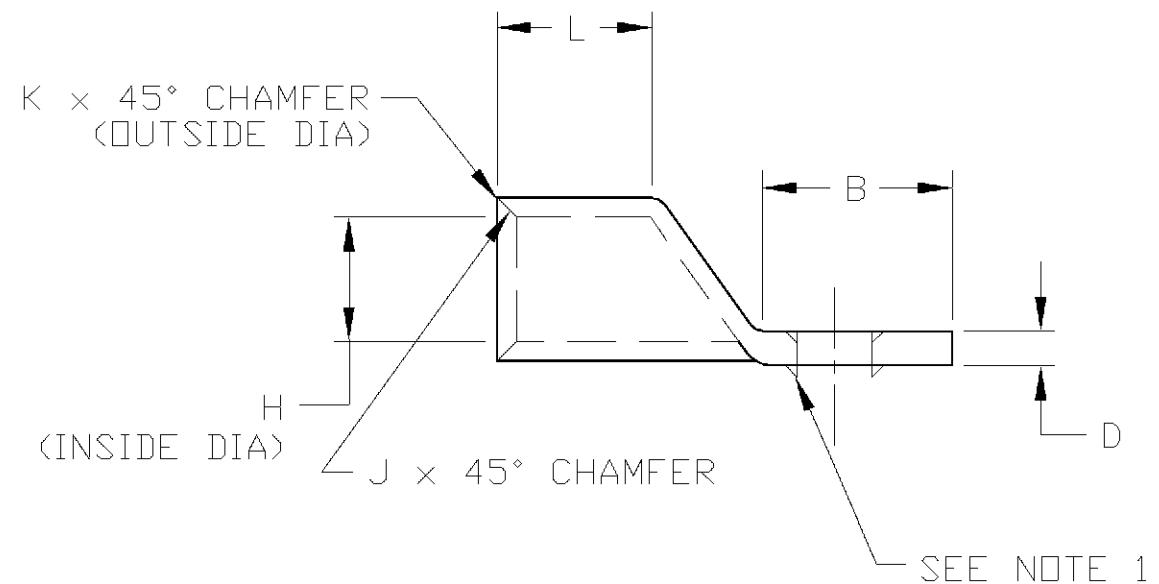


THIS DRAWING IS UNPUBLISHED. RELEASED FOR PUBLICATION .19  
 © COPYRIGHT 19 BY AMP INCORPORATED. ALL RIGHTS RESERVED.

LOC	DIST	REVISIONS				
P	LTR	DESCRIPTION	DATE	DWN	APVD	
AA	27	F	REDWN & REV; OG1Z-0010-99	12MAY00	LMH LHS	



1. LOCKING LANCE FOR P/N -1 ONLY



.375	.850	.016	.031	.490	.650	.565	∅.39	.170	.925	1.080	2.25	606296-3
.500	.850	.016	.031	.490	.650	.565	∅.515	.170	.925	1.080	2.25	606296-2
.375	.850	.016	.031	.490	.650	.565	∅.39	.170	.925	1.080	2.25	606296-1
BOLT HOLE SIZE	L	K	J	H	G	F	E	D	C	B	A	PART NUMBER

DIMENSIONS, INCHES

THIS DRAWING IS A CONTROLLED DOCUMENT.		DWN L. HALL 18APR00	AMP Incorporated Harrisburg PA 17105-3608											
DIMENSIONS: INCHES		CHK L.H. SMITH 12MAY00												
TOLERANCES UNLESS OTHERWISE SPECIFIED:		APVD B. ANTHONY 12MAY00												
<table border="1"> <tr><td>0 PLC</td><td>±</td></tr> <tr><td>1 PLC</td><td>±</td></tr> <tr><td>2 PLC</td><td>± .02</td></tr> <tr><td>3 PLC</td><td>± .005</td></tr> <tr><td>4 PLC</td><td>± .0005</td></tr> <tr><td>ANGLES</td><td>± 3'</td></tr> </table>		0 PLC		±	1 PLC	±	2 PLC	± .02	3 PLC	± .005	4 PLC	± .0005	ANGLES	± 3'
0 PLC	±													
1 PLC	±													
2 PLC	± .02													
3 PLC	± .005													
4 PLC	± .0005													
ANGLES	± 3'													
		PRODUCT SPEC	SIZE A3											
MATERIAL HIGH CONDUCTIVITY WROUGHT COPPER		APPLICATION SPEC	CAGE CODE 00779											
FINISH ELECTRO TIN PLATE		WEIGHT -	DRAWING NO C-606296											
CUSTOMER DRAWING			RESTRICTED TO											
SCALE NTS			SHEET 1 OF 1											
			REV F											